



Ventura County

Michelle Ascencion , County Clerk-Recorder & Registrar of Voters
800 S. Victoria Ave.
Ventura, CA 93009
(805) 654-2263 (Clerk/Vitals)
(805) 654-3665 (Recorder)

Receipt: 26-40113

Product	Name	Extended
FISH	FISH AND WILDLIFE FILING	\$50.00
	# Pages	3
	Document #	2026100005039
	Document Info:	VENTURA COUNTY PUBLIC WORKS AGENCY - WATER AND SANITATION
	Filing Type	NOE
	State Fee Prev Charged	false
	No Handling Fee	false

Total \$50.00

Tender (On Account) \$50.00

Account #	800
Account Name	VITAL CHECK RECORDER
Customer Name	VENTURA COUNTY PUBLIC WORKS
Balance	\$16.00
Name for Return Address	VANESSA HERNANDEZ

05/12/2026 08:25 AM PDT

VENTURA COUNTY RECORDER
800 SOUTH VICTORIA AVENUE
VENTURA, CA 93009

TERMINAL NAME: E2530707

ORDER# 220632072

PAYMENT

RECORDING FEES	\$50.00
AGENCY SUBTOTAL:	\$50.00
LEXISNEXIS SERVICE FEE:	\$2.50
TOTAL USD:	\$52.50

CARD #: 2941 VISA
PAYMENT: CREDITCHIP READ-CONTACT
MODE: ISSUER
AUTH CODE: 044776
APP LABEL: VISA CREDIT
CVM: NO SIG REQUIRED
AID: A0000000031010
ARQC: 2C3EA5D0A1BE18D5
AMOUNT: \$52.50
*** CARD APPROVED ***

Thank you for your order.

Note: If payment was by credit card with Vital Check, balance shown is for int

5/12/26, 8:25 AM PST COXR
VENTURA

AMOUNT PAID:
\$52.50

CUSTOMER COPY



State of California - Department of Fish and Wildlife
2026 ENVIRONMENTAL DOCUMENT FILING FEE CASH RECEIPT
 DFW 753.5a (REV. 01/01/26) Previously DFG 753.5a

RECEIPT NUMBER:
56-05122026-084

STATE CLEARINGHOUSE NUMBER (If applicable)

SEE INSTRUCTIONS ON REVERSE. TYPE OR PRINT CLEARLY.

LEAD AGENCY VENTURA COUNTY PUBLIC WORKS AGENCY - WATER AND	LEAD AGENCY EMAIL paul.chan@venturacounty.gov	DATE 05/12/2026
COUNTY/STATE AGENCY OF FILING VENTURA		DOCUMENT NUMBER 2026100005039

PROJECT TITLE
ARROYO SIMI SEWER CROSSING REPLACEMENT PROJECT (SPECIFICATION NO. WW26-24, PROJECT NO. P60329941)

PROJECT APPLICANT NAME VENTURA COUNTY PUBLIC WORKS AGENCY - WATER AND	PROJECT APPLICANT EMAIL paul.chan@venturacounty.gov	PHONE NUMBER (805) 654-5142
PROJECT APPLICANT ADDRESS 800 SOUTH VICTORIA AVENUE #1600	CITY VENTURA	STATE CA
		ZIP CODE 93009

PROJECT APPLICANT (Check appropriate box)

Local Public Agency School District Other Special District State Agency Private Entity

CHECK APPLICABLE FEES:

- Environmental Impact Report (EIR) \$4,227.50 \$ _____
- Mitigated/Negative Declaration (MND)(ND) \$3,043.75 \$ _____
- Certified Regulatory Program (CRP) document - payment due directly to CDFW \$1,437.25 \$ _____
- Exempt from fee
 - Notice of Exemption (attach)
 - CDFW No Effect Determination (attach)
- Fee previously paid (attach previously issued cash receipt copy)

- Water Right Application or Petition Fee (State Water Resources Control Board only) \$850.00 \$ _____
- County documentary handling fee \$ _____ \$50.00
- Other \$ _____

PAYMENT METHOD:

- Cash Credit Check Other
- TOTAL RECEIVED \$ _____ \$50.00

SIGNATURE 	AGENCY OF FILING PRINTED NAME AND TITLE RAYLENE COX, VENTURA COUNTY DEPUTY CLERK
---------------	---

POSTED
 MAY 12 2026
 MICHELLE ASCENCION
 Ventura County Clerk and Recorder
 By: _____ Deputy

Filed in County Clerk's Office
 Michelle Ascencion
 Ventura County Clerk-Recorder
2026100005039
 05/12/2026 08:25 AM
 FISH ,Pages: 3 Fee: \$50.00 COXR

NOTICE OF EXEMPTION

TO: COUNTY CLERK
 COUNTY OF VENTURA

FROM: Director, Ventura County Public Works Agency –
 Water and Sanitation
 800 South Victoria Avenue / #1600
 Ventura, CA 93009-1600

OFFICE OF PLANNING AND
 RESEARCH
 P.O. Box 3044, Room 113
 Sacramento, CA 95812-3044

Project Title: Arroyo Simi Sewer Crossing Replacement Project (Specification No. WW26-24, Project No. P6032994)
Project Location: Moorpark, CA (34.274440, -118.884319)
Description of Nature, Purpose and Beneficiaries of the Project: Ventura County Waterworks District No. 1 is proposing to replace a concrete-encased 8-inch sewer line that crossed Arroyo Simi in the City of Moorpark, CA. The concrete-encased sewer line became exposed after several years of erosion and was washed out as a result of the high stream flows generated during the December 24-27, 2025 storm event. The Project consists of installing two 9-inch diameter High Density Polyethylene (HDPE) wastewater pipelines in inverted siphon configurations to a maximum depth of approximately 50 feet below the Arroyo Simi. Additionally, five precast concrete manholes will be installed to connect the new dual siphon system to the existing sewer line. The HDD borings entry location will occur approximately 20 feet south of the Arroyo Simi southern access road on right of way owned by the Ventura County Watershed Protection District (VCWPD). The borings that exit temporary construction staging area will be approximately 590 linear feet downstream (west), on VCWPD fee parcel north of the Arroyo Simi northern access road. The existing 132 linear foot sewer line and manhole which connected to the damaged sewer line will be plugged using a sack slurry concrete mixture and abandoned in place. No concrete will enter the Arroyo Simi through the abandoned pipe sections. All work, excavation, and access will be conducted outside of Arroyo Simi and jurisdictional areas. No new permanent impacts to jurisdictional areas would occur as a result of the Project. The proposed actions are necessary to maintain safety and service to the public in this area, including the more than 150 homes in the Peach Hill Neighborhood of Moorpark.
Name of Public Agency Approving Project: Ventura County Waterworks District No. 1
Name of Person or Agency Carrying Out Project: Paul Chan, Director, Ventura County Public Works Agency - Water and Sanitation Division

Exempt Status:

Categorical Exemption. State Type and section number:

Class 3 New Construction or Conversion of Small Structures, CEQA Guidelines Section 15303

Reasons why project is exempt: The Project consists of the installation and location of two new wastewater lines of reasonable length to replace a damaged sewage line in the same general location (Sec. 15303 (d)). Exceptions to the exemption do not apply to the Project (Section 15300.2)

Lead Agency Contact Person: Paul Chan, Director, Ventura County Public Works Agency – Water and Sanitation	Area Code/Telephone/Extension (805) 654-2373
---	--

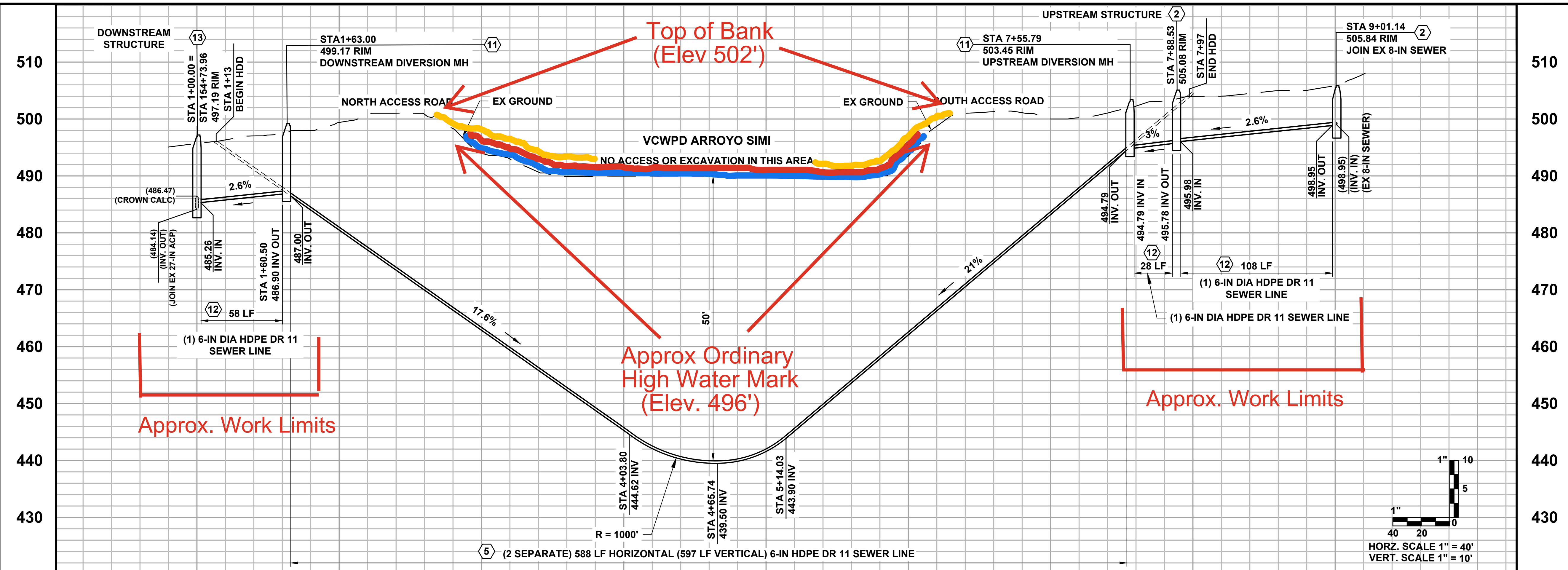
Date Received for Filing

3/25/2026

Director

Date

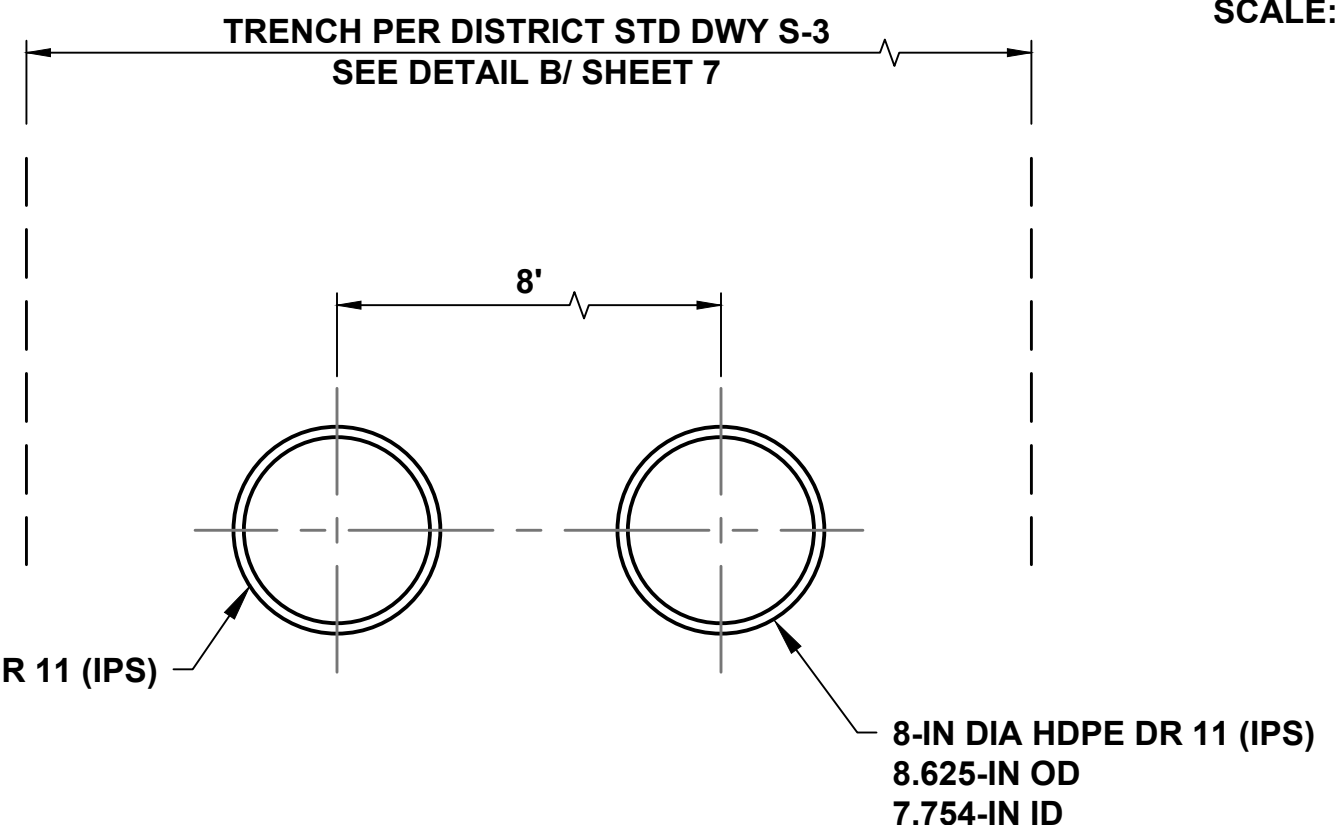
D:\Projects\VCWP26-01 Arroyo Simi Sewer Crossing\VC Arroyo Simi Sewer Repair Set.dwg
 DATE: Feb 17, 2023 11:25am
 USER: Ahrens
 PLOT: VCWP26-01 Arroyo Simi Sewer Repair Set.dwg
 ARCS: County Title Block 2022.plt
 IMC_5473.dwg
 IMC_5472.dwg
 IMC_5461.dwg
 IMC_5455.dwg
 IMC_5484.dwg
 IMC_5483.dwg
 IMC_5486.dwg
 IMC_5500.dwg
 DGC ALERT B11.HH
 gesliff_arroyo_21_clip-6.HH
 gesliff_arroyo_21_clip-7.HH
 gesliff_arroyo_21



1+00 2+00 3+00 4+00 5+00 6+00 7+00 8+00 9+00
STATIONING ALONG CENTERLINE OF SEWER LINE

ARROYO SIMI SEWER REPAIR - PROFILE VIEW

SCALE: HORIZONTAL 1" = 40', VERTICAL 1" = 10'



(2) HDPE DR 11 (IPS) DETAIL

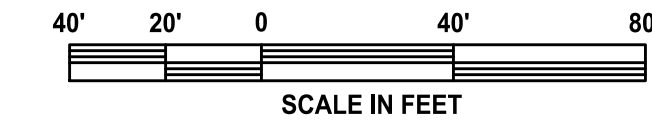
SCALE: N.T.S.

CONSTRUCTION NOTES

- ② INSTALL 5-FT DIA PRECAST SEWER MH PER SPPWC STD PLAN 200-4 MODIFIED TO 5-FT DIA. SEE A
6
- ⑤ INSTALL 588 LF HORIZONTAL (597 LF VERTICAL) OF (2) 6-IN DIA HDPE DR 11 (IPS) SEWER PIPE. (SEPARATE INSTALLATIONS) SEE DETAIL A
-
- ⑪ INSTALL 5-FT DIA PRECAST SEWER MH PER SPPWC STD PLAN 200-4 MODIFIED TO 5-FT DIA TO USE FOR A DIVERSION SEWER MH. SEE A
6
- ⑫ INSTALL (1) 6-IN DIA HDPE DR 11 (IPS) SEWER PIPE. SEE PLAN FOR LENGTH.
- ⑬ INSTALL 6-FT DIA PRECAST SEWER MH PER SPPWC STD PLAN 200-4 MODIFIED TO 6-FT DIA. MH ACCESS TO BE 36-IN. SEE A
6

- - CDFW Jurisdiction (Top of Bank)
- - USACE Jurisdiction (Ordinary High Water Mark)
- - RWQCB Jurisdiction (Ordinary High Water Mark)

VERIFY SCALES
BAR IS ONE INCH ON ORIGINAL DRAWING
IF NOT ONE INCH ON THIS SHEET,
ADJUST SCALES ACCORDINGLY



NO.	REVISION DESCRIPTION	BY	APP	DATE
3				
2				
1				
0				

PREPARED BY:
 PHOENIX CIVIL ENGINEERING, INC.
 535 E. MAIN STREET
 SANTA PAULA, CA 93060
 (805) 658-6800

PROJECT MANAGER, WATER AND SANITATION DEPARTMENT
 JON TURNER, P.E. PE 60214

DRAWN BY: ADH	VENTURA COUNTY WATERWORKS DISTRICT NO. 1
CHECKED BY: JMT	

SPECIFICATION NO. WW26-24	ARROYO SIMI SEWER CROSSING REPLACEMENT ARROYO SIMI SEWER REPAIR - PROFILE VIEW
PROJ. NO. P6032994	

SHEET 3
OF _____
DRAWING NO. _____

